

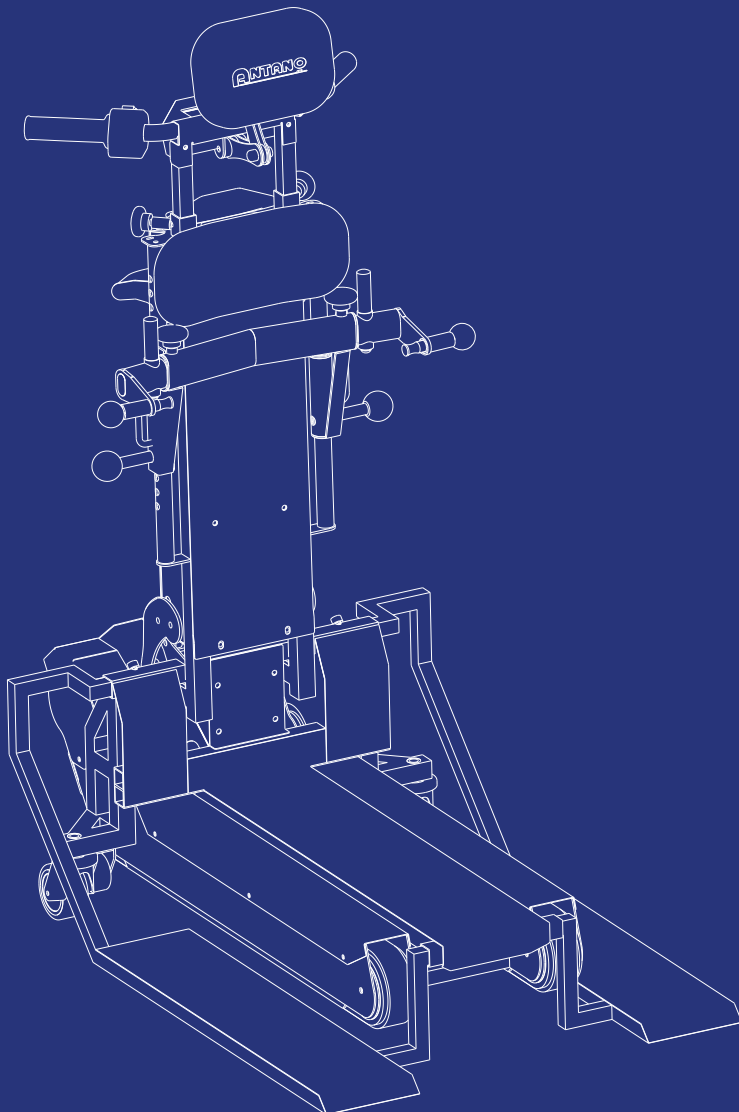
LG2004 T-LIFT

Stairway climber with tracks and footboards

LG2004 T-LIFT is the new stairway climber from the Antano Group equipped with different types of ramps that can be adapted to each wheelchair model. Thanks to its intuitive LED display, operators can manoeuvre the stairway climber effortlessly, viewing the recommended movements for safe ascent and descent.

In addition, the ability to adjust tilt up to 55 degrees and customise it to the user's stair and wheelchair type ensures an upright, comfortable position during use.

With an exceptional load capacity of up to 300 kg, the Antano Group stairway climber can overcome any architectural barrier with confidence and the utmost safety.







VERSATILITY

Adaptable to various types of wheelchairs thanks to the different ramps

INTUITIVE GUIDANCE

With an innovative LED display

LARGE LOAD CAPACITY

Up to 300 kg



COMFORT AND SAFETY

LG2004 T-LIFT TILT ADJUSTMENT

The inclination of the loading surface up to 55° by means of an electric actuator not only avoids the effort of reclining before tackling the stairs but also allows the user an upright, safe and comfortable position at all times.



■ LED DISPLAY

The operator can manoeuvre the stairway climber effortlessly, viewing the recommended movements for safe ascent and descent.

■ TILT BUTTON

■ ACCELERATION KNOB

■ RUN BUTTON (FORWARD/REVERSE)



■ BATTERY INDICATOR

■ IGNITION KEY

■ EMERGENCY BUTTON



■ ELECTRIC SUPPORT WHEELS (OPTIONAL)

They ensure maximum safety of the device during ascent and descent by stabilising the movement on landings



■ DRAWBAR ADJUSTMENT



■ WHEELCHAIR COUPLING ADJUSTMENT



■ 3D WHEELCHAIR ANCHOR SUPPORT

3D wheelchair anchor support



■ DEPTH-ADJUSTABLE WHEELCHAIR COUPLING

Adjustment minimum 16 cm, maximum 24 cm



■ MULTI-POSITION BACKREST

The backrest can be positioned at different heights. It is advisable to position the backrest low when the footboard is low and high when the footboard is high.



■ ADJUSTABLE HEADREST

CHOOSE THE PERFECT FOOTBOARD FOR YOUR WHEELCHAIR WITH THE LG 2004 T-LIFT STAIRWAY CLIMBER



■ HIGH FOOTBOARD WITH MULTI-PURPOSE SEAT

For electric multi-purpose seats and wheelchairs. Use the high footboard when the device does not have the necessary clearance underneath to fit the stairway climber footboard.

Always check the free space underneath the device (see technical table).



■ LOW FOOTBOARD WITH AURA EL

For wheelchairs with fold-down, active and sporty backrests. The device always rests its 4 wheels on the footboard.

Always check the free space underneath the device (see technical table).



■ LOW FOOTBOARD WITH LIGHTWEIGHT FRAME WHEELCHAIR

Wheelchairs with fold-down backrests, active, sporty. The aid always rests its 4 wheels on the footboard (always check the free space under the aid).

Designed for maximum safety and to **adapt to different wheelchairs**, the T-LIFT stairway climber offers a **tailor-made** mobility experience for every user, overcoming architectural barriers with comfort and safety.



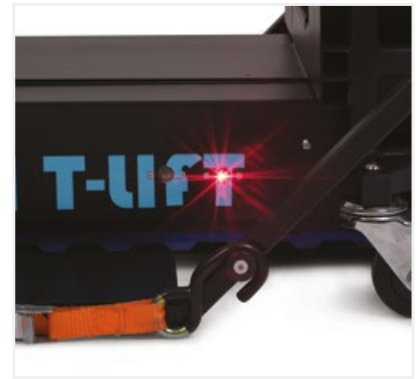
■ **HIGH FOOTBOARD**

Adjustable width of 15 cm



■ **LOW FOOTBOARD**

Adjustable width of 15 cm



■ **LASER INDICATOR**

Signals the optimum time to activate the actuator

■ **REAR SWIVEL CASTORS**

Easy transport on floors thanks to rear swivel wheels

■ **RETRACTABLE RAMP**

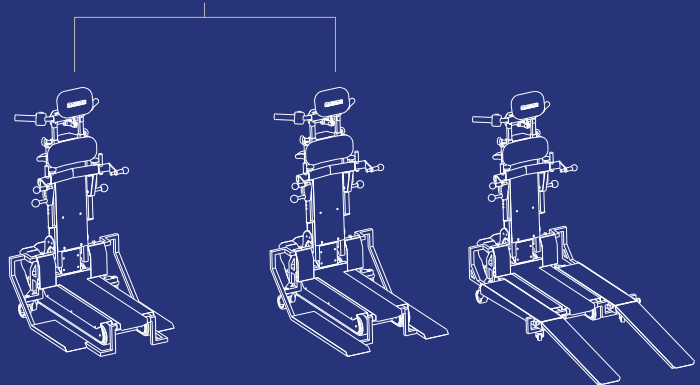
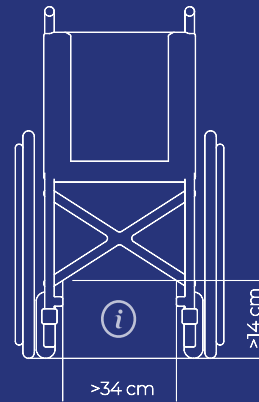
Easy device boarding thanks to the ramp that fits into the footboard



■ **SPACE-SAVING FORWARD FOLDING DRAWBAR**

Possibility of reclining the drawbar forward to reduce the footprint

LG2004 T-LIFT



	Short Footboard T-LIFT003	Low Footboard T-LIFT001	High Footboard T-LIFT002
Overall Weight (kg)	77	79	89
Machine body weight (kg)	70		
Weight of accessories (kg)	7	9	19
Minimum overall dimensions (cm)	66 x 97 x 110	66 x 106 x 110	69 x 106 x 110
Maximum overall dimensions (cm)	83 x 97 x 150	83 x 106 x 150	86 x 106 x 150
Maximum step height (cm)	21		
Power batteries (V)	2 - 12V - 12Ah		
Motor power (W)	500		
Battery charger power consumption (W)	80		
Battery charger power supply (V)	100 - 240		
Maximum transportable weight (kg)	300		
Autonomy (steps)	850 (with 150kg load) - 520 (with 350kg load)		
Autonomy with reserve indicator (steps)	60		
Minimum stair width (cm)	70		
Minimum manoeuvring space on L-shaped landing (cm)	97 x 97	115 x 115	115 x 115
Minimum manoeuvring space on U-shaped landing (cm)	97 x 194	115 x 230	115 x 230
Maximum tilt	45°		
Temperature of use	0° - 40°		
Storage temperature with packaging (dry environment)	-10° - 50°		
Maximum speed	13 Steps per minute		
Packaging dimensions (cm)	60 x 115 x 40		



To choose the type of ramp, measure the front height of the aid (measure the rectangle of space as in the drawing).